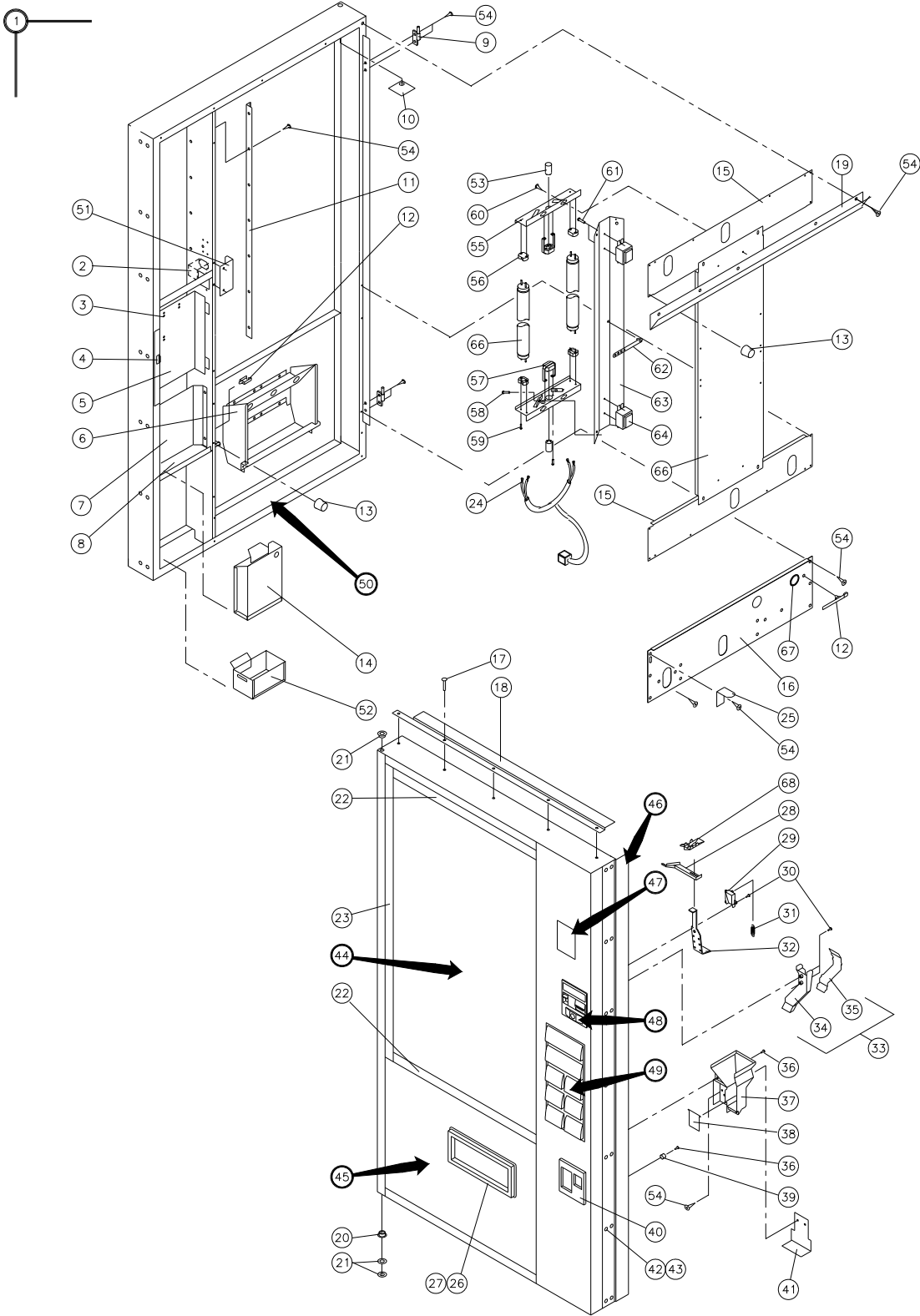




“UNIVENDOR” TRADE OUTER DOOR - FLAT

ITEM NO.	MODEL NUMBER		270 - 280	310 - 324	388, 392, 406	460, 470, 490
	PART NAME & DESCRIPTION	REQ.	PART NO.	PART NO.	PART NO.	PART NO.
*1	OUTER DOOR ASSEMBLY SEE PG. F-4	1	~	~	~	~
2	CREDIT RELAY	1	353343	353343	353343	353343
3	PH TAP SCREW	3	V800762	V800762	V800762	V800762
4	LATCH - COINAGE DOOR	1	1071686	1071686	1071686	1071686
5	COINAGE DOOR ASSEMBLY	1	133435	133435	133435	133435
6	DELIVERY HOPPER ASSEMBLY	1	133574	133574	133574	133574
7	BARRIER PANEL	1	388244	388244	388244	388244
8	BULKHEAD	1	388119	388119	388119	388119
9	HINGE - INNER DOOR	2	388149	388149	388149	388149
10	BACKING PLATE	1	388443	388443	388443	388443
11	SIGN RETAINER	1	389431	389431	389431-3	389431-1
12	TIE DOWN PANEL MOUNT	A/R	388359-1	388359-1	388359-1	388359-1
13	BUMPER - DOOR	1	1036912	1036912	1036912	1036912
14	COIN BOX	1	133563	133563	133563	133563
15	CROSS STRAP (ONE REVERSED)	2	388496	388497-1	388497	388497
16	SHEAR PANEL - LOWER	1	389624	389624	388117	388117
17	RIVET 1/8 DIA.	A/R	V801471	V801471	V801471	V801471
*18	DOOR RAIN GUARD (BLACK)	1	~	~	~	~
~	DOOR RAIN GUARD (BROWN)	1	~	~	~	~
~	DOOR RAIN GUARD (WHITE)	1	~	~	~	~
19	RAIN GUTTER	1	388581	388581	388581-1	388581-1
20	BUSHING - DOOR HINGE	2	388094	388094	388094	388094
21	FLAT WASHER	2	V801491	V801491	V801491	V801491
22	SIGN TRIM - TOP/BOTTOM	2	388284-4	388284-4	388284-3	388284-3
23	SIGN TRIM - LEFT	1	388284-7	388384-6	388384-6	384284-5
~	HH SELFDRILL SCREW 10-16 x 1/2	A/R	V801489	V801489	V801489	V801489
24	LIGHT HARNESS	1	134308-2	134308-2	134308-2	134308-2
25	RAMP/CATCH INNER DOOR	1	1016962	1016962	1016962	1016962
26	EYELET TRIM	1	387125	387125	387125	387125
27	PH TAP SCREW 8-10 x 1/2	6	V801493	V801493	V801493	V801493
28	SCAVENGER CHUTE - RAIN GUARD	1	388944	388944	388944	388944
29	SCAVENGER CHUTE - SUPPORT	1	388220	388220	388220	388220
30	HH TAP SCREW 8-18 x 1/2	A/R	V801475	V801475	V801475	V801475
31	SPRING LEVER	1	387849	387849	387849	387849
32	SCAVENGER LEVER	1	390274	390274	390274	390274
33	COIN INSERT CHUTE ASSEMBLY	1	1034731	1034731	1034731	1034731
34	COIN ENTRANCE CHUTE	1	1041088	1041088	1041088	1041088
35	COVER - COIN CHUTE	1	1041053	1041053	1041053	1041053
36	PH TAP SCREW 8-10 x 1/2	5	V801493	V801493	V801493	V801493

*NOTE: WHEN ORDERING PART ASSEMBLY PLEASE PROVIDE **9-CODE** AND **MANUFACTURER'S DATE CODE.**

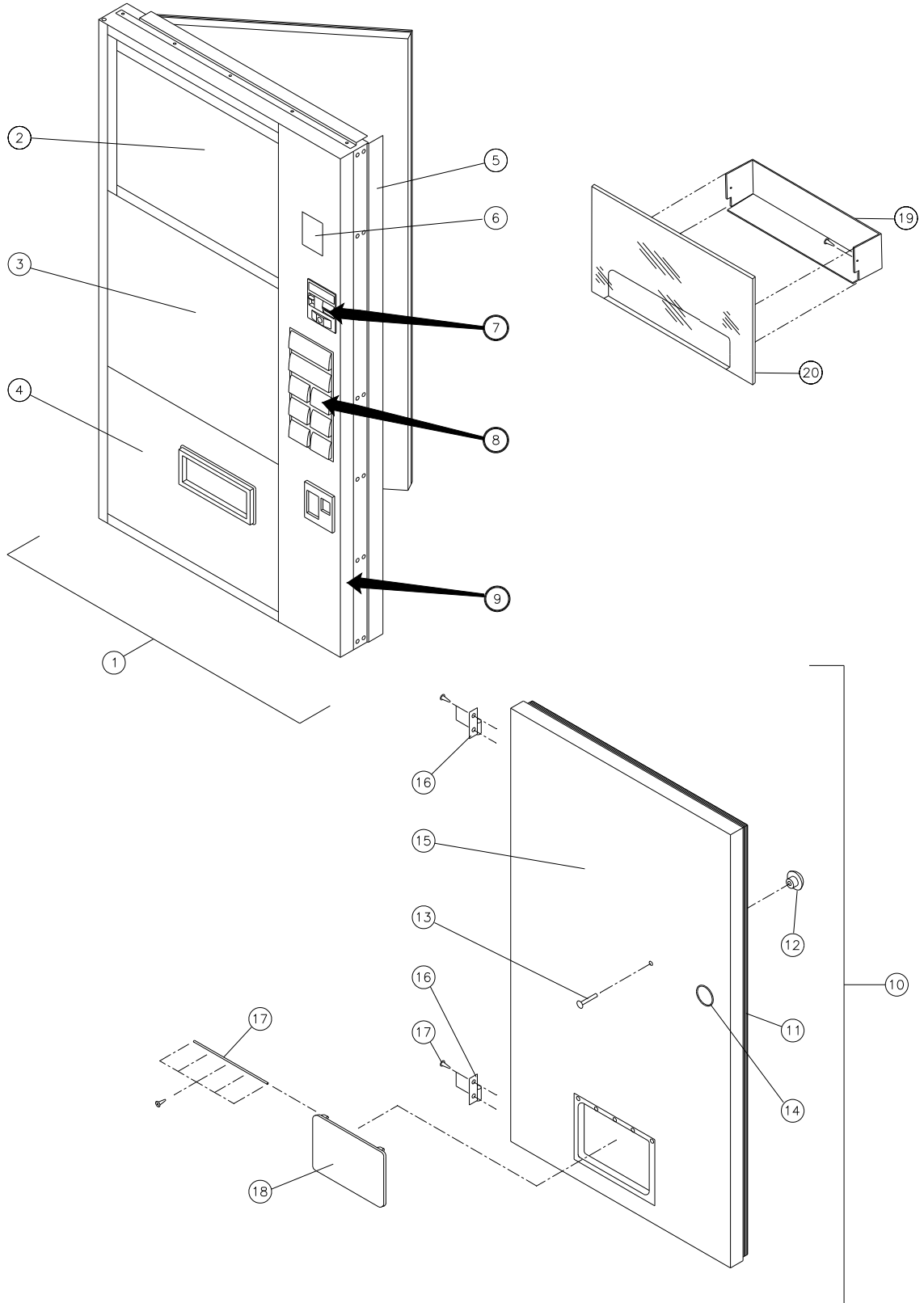




“UNIVENDOR” TRADE OUTER DOOR - FLAT (CONTINUED)

37	CUP - COIN RETURN	1	388111	388111	388111	388111
38	COIN RETURN DOOR	1	389790	389790	389790	389790
39	CUP WASHER	2	337241-1	337241-1	337241-1	337241-1
40	COIN RETURN TRIM	1	389791	389791	389791	389791
41	CROWN BLOCKER	1	388455	388455	388455	388455
42	CARRIAGE BOLT	A/R	V801434	V801434	V801434	V801434
43	HEX NUT 1/4 x 20	A/R	V800959	V800959	V800959	V800959
*44	SIGN FACE	1	~	~	~	~
45	LOWER PANEL - SEE PG. F-5	1	~	~	~	~
46	DOOR GUARD - SEE PG. F-5	1	~	~	~	~
47	VALIDATOR PLUG - SEE PG. F-5	1	~	~	~	~
48	T- HANDLE ASSEMBLY - SEE PG. F-14	1	~	~	~	~
49	SELECTION PANEL ASSY. - SEE PG. F-14	1	~	~	~	~
50	DOOR HARNESS	1	1036955	1036971	1036947	1036947
51	JONES PLUG COVER	1	389123	389123	389123	389123
52	CROWN BOX	1	133560	133560	133560	133560
53	STARTER	2	327143	327143	327143	327143
54	HH SELF DRILL SCREW 10-16 x 1/2	A/R	V801489	V801489	V801489	V801489
55	END BRACKET REFLECTOR	2	341331	341331	341331	341331
56	LAMP HOLDER	4	342622	342622	342622	342622
57	SOCKET - STARTER	2	327675-2	327675-2	327675-2	327675-2
58	PH TAP SCREW 8-18 x 5/16	A/R	V800496	V800496	V800496	V800496
59	PH MACH SCREW 4-40 x 3/8	A/R	V800024	V800024	V800024	V800024
60	HH TAP SCREW 10-16 x 5/16	A/R	V801421	V801421	V801421	V801421
61	PH TAP SCREW 6-20 x 3/8	A/R	V801329	V801329	V801329	V801329
62	TIE STRAP	1	342621	342621	342621	342621
63	REFLECTOR	1	341330-6	341330-6	341330-6	341330-6
64	BALLAST - 60 HZ	1	327146	327146	327146	327146
65	BALLAST - 50 HZ	A/R	387756	387756	387756	~
~	LAMP - BI-PIN	2	384161	384161	384161	388320-3
66	MOUNTING PLATE	1	388494	388494	388494	388494
67	GROMMET	1	327021	327021	327021	327021
68	T-HANDLE CHUTE	1	389240	389240	389240	389240

*NOTE: WHEN ORDERING SIGN FACE, PLEASE PROVIDE **STYLE**.



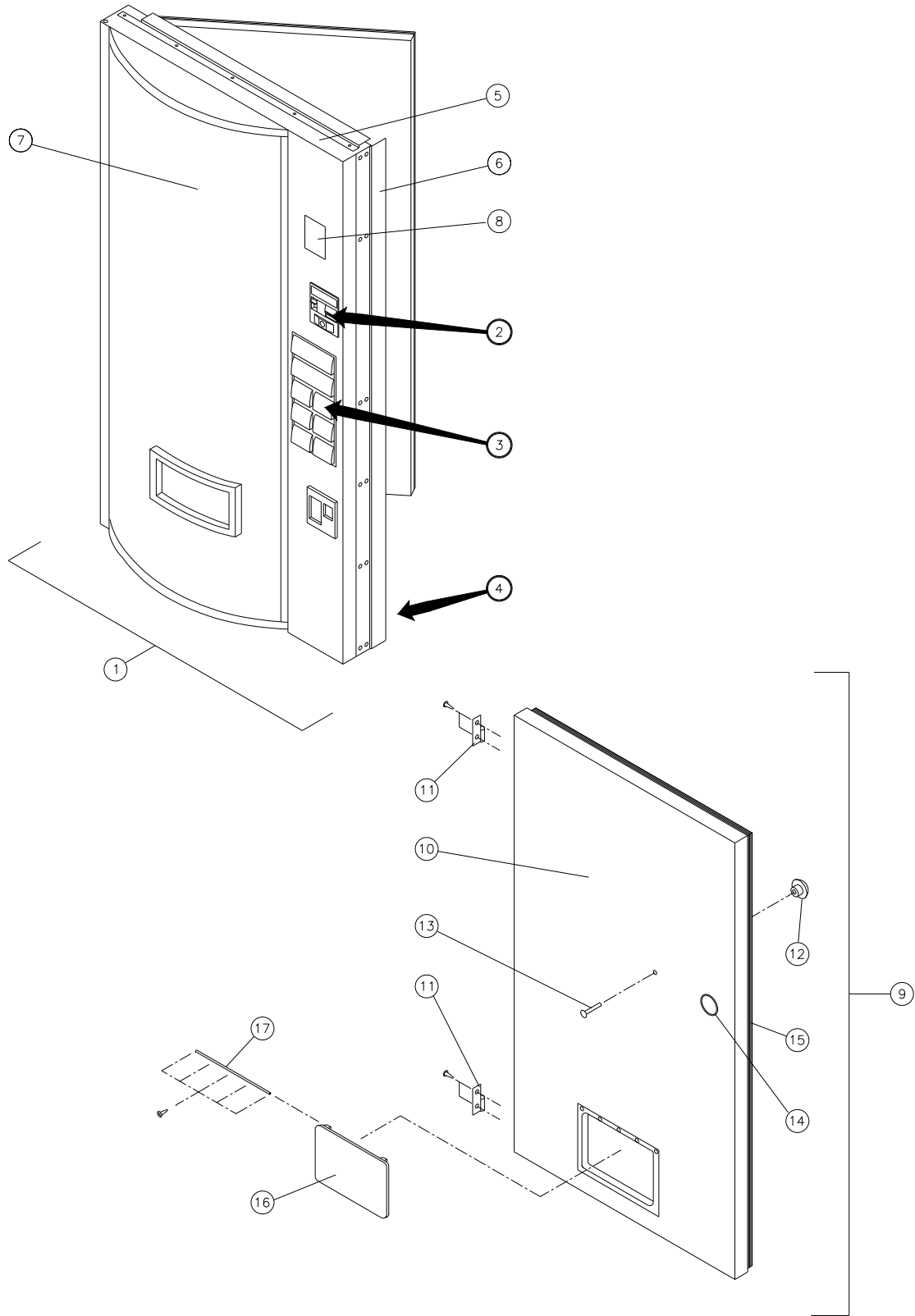


“UNIVENDOR” TRADE MAIN DOOR - FLAT

ITEM NO.	MODEL NUMBER		370 - 280	310 - 324	388 - 392 406	460 - 470 490
	PART NAME & DESCRIPTION	REQ.	PART NO.	PART NO.	PART NO.	PART NO.
*1	OUTER DOOR ASSEMBLY	1	~	~	~	~
**2	SIGN FACE	1	~	~	~	~
3	MID PANEL	1	134810-2	134811-2	134766-2	134767-2
4	LOWER PANEL	1	134765-10	134765-10	134766-7	134767-2
5	DOOR GUARD	1	133629-7	133629-4	133629-4	133629-3
6	VALIDATOR PLUG	1	133539-2	133539-2	133539-2	133539-2
7	LOCK ASSEMBLY - SEE PG. F-13	1	~	~	~	~
8	SELECTION PANEL - SEE PG. F-13	1	~	~	~	~
*9	DOOR FRAME WELD	1	133537-13	133537-14	133537-11	133537-10
10	INNER DOOR ASSEMBLY - FINAL	1	134302	134302-1	134302-3	134302-4
11	INNER DOOR GASKET	1	389622	389622-1	389622-3	389622-4
12	KNOB INNER DOOR	1	388305	388305	388305	388305
13	CARRIAGE BOLT	1	V329258	V329258	V329258	V329258
14	GROMMET	2	388090	388090	388090	388090
15	INNER DOOR PANEL (FOAMED)	1	133438-4	133438-3	133438-1	133438
16	HINGE - INNER DOOR	2	388148	388148	388148	388148
17	HINGE PIN	1	389985	389985	389985	389985
18	DELIVERY DOOR (REVERSIBLE)	1	1013076	1013076	1013076	1013076
19	DISPLAY PANEL	1	~	~	388519	388519
**20	SIGN FACE W/ DISPLAY	1	~	~	~	~

*NOTE: WHEN ORDERING OUTER DOOR ASSEMBLY, PLEASE PROVIDE **9-CODE** AND **MANUFACTURERS DATE CODE**.

NOTE: WHEN ORDERING SIGN FACE, PLEASE PROVIDE **STYLE.



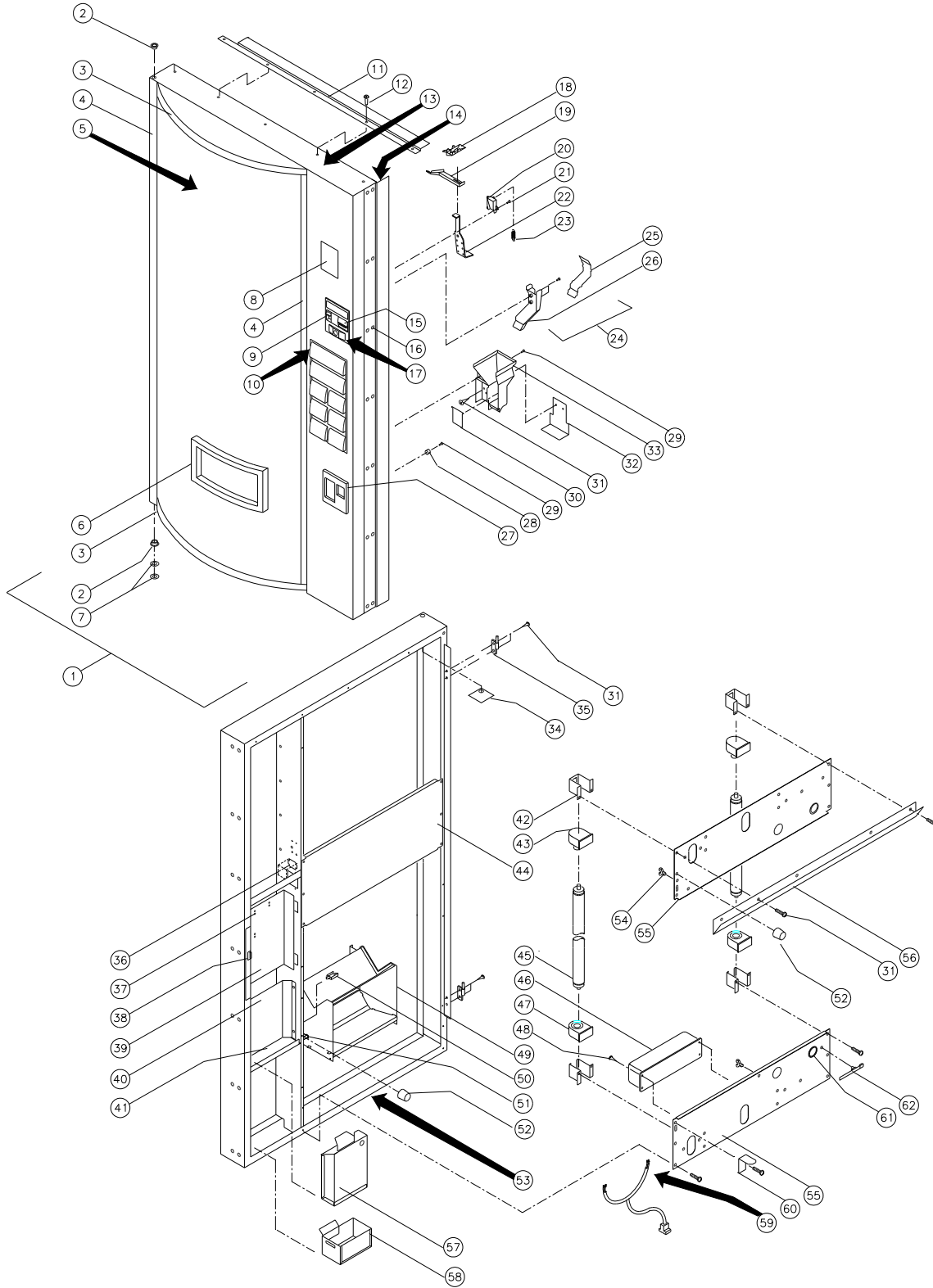


“UNIVENDOR” TRADE MAIN DOOR - CURVED

ITEM NO.	MODEL NUMBER		388 - 392 406	460 - 470 490
	PART NAME & DESCRIPTION	REQ.	PART NO.	PART NO.
*1	OUTER DOOR	1	~	~
2	LOCK ASSEMBLY - SEE PG. F-13	1	~	~
3	SELECTION PANEL - SEE PG. F-13	1	~	~
4	DOOR HARNESS	1	1036955	1036971
*5	DOOR FRAME WELD - BLACK	1	~	~
~	DOOR FRAME WELD - BROWN	1	~	~
~	DOOR FRAME WELD - WHITE	1	~	~
*6	DOOR GUARD - BLACK	1	~	~
~	DOOR GUARD - BROWN	1	~	~
~	DOOR GUARD - WHITE	1	~	~
**7	SIGN FACE	1	~	~
8	VALIDATOR PLUG - BLACK	1	133539-2	133539-2
~	VALIDATOR PLUG - BROWN	1	133539-4	133539-4
~	VALIDATOR PLUG - WHITE	1	133539-7	133539-7
~	VALIDATOR GASKET (NOT SHOWN)	1	388846	388846
9	INNER DOOR ASSEMBLY - FINAL	1	134302-3	134302-4
10	INNER DOOR PANEL	1	133438-1	133438
11	HINGE - INNER DOOR	2	388148	388148
12	DOOR KNOB HANDLE	1	388305	388305
13	CARRIAGE BOLT - HANDLE	1	V329258	V329258
14	GROMMET	2	388090	388090
15	INNER DOOR GASKET	1	389622-3	389622-4
16	DELIVERY DOOR (REVERSIBLE)	1	1013076	1013076
17	HINGE PIN	1	389985	389985

* NOTE: WHEN ORDERING OUTER DOOR ASSEMBLY, PLEASE PROVIDE **9-CODE** AND **MANUFACTURER'S DATE CODE**.

NOTE: WHEN ORDERING SIGN FACE, PLEASE PROVIDE **STYLE.



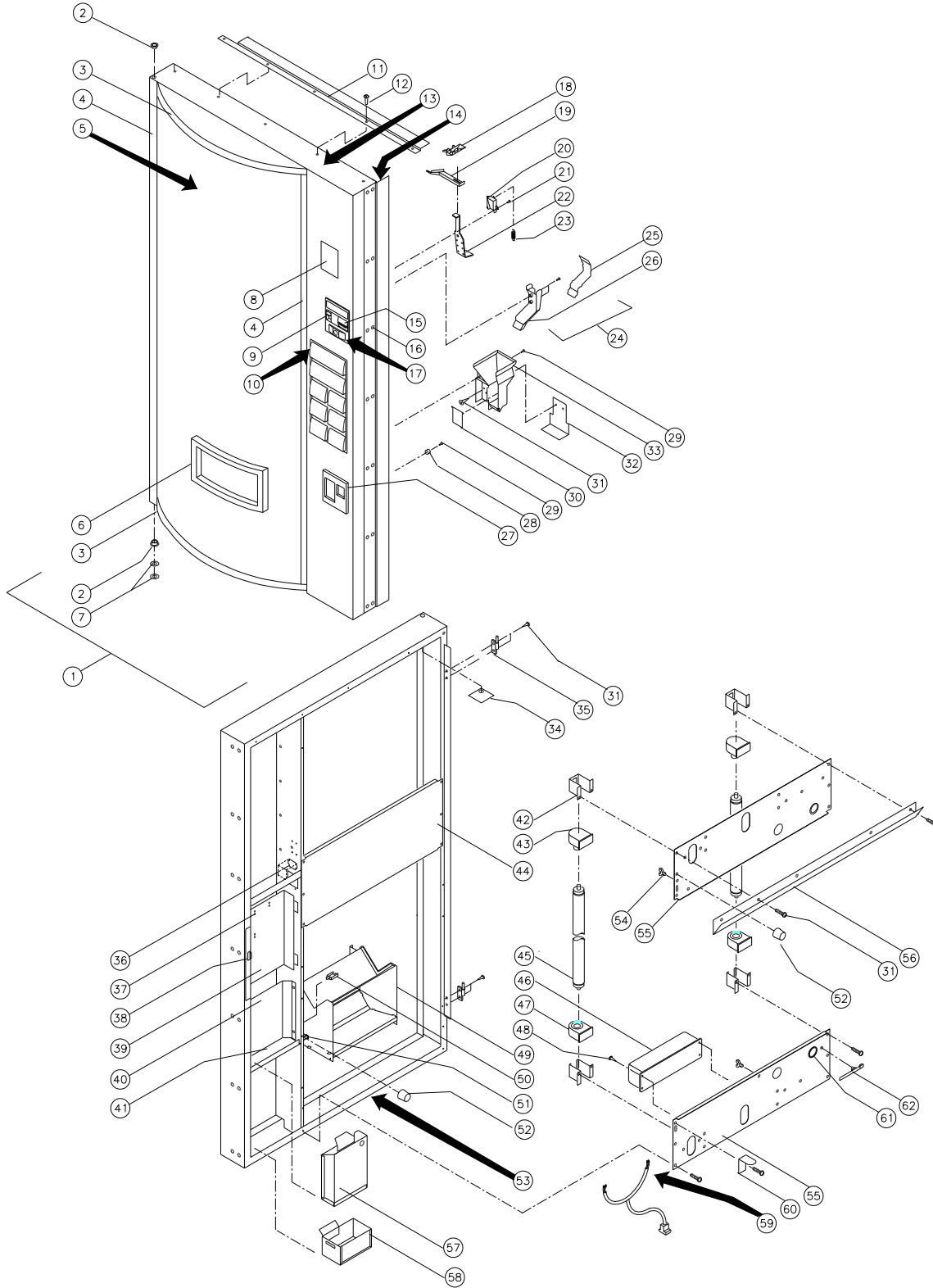


“UNIVENDOR” TRADE OUTER DOOR - CURVED

ITEM NO.	MODEL NUMBERS		388 - 392 406	460 - 470 490
	PART NAME & DESCRIPTION	REQ.	PART NO.	PART NO.
*1	OUTER DOOR ASSEMBLY	1	~	~
2	BUSHING - DOOR HINGE	2	388094	388094
3	SIGN CAP - TOP / BOTTOM	2	1014986	1014986
4	SIGN FRAME - LEFT / RIGHT	2	388125-2	388125
5	SELF - DRILL SCREW (#10-16)	A/R	V801489	V801489
**~	SIGN FACE - SEE NOTE	1	~	~
6	EYELET TRIM	1	388271	388271
7	TAPPING SCREW - TRIM	6	V801493	V801493
~	FLAT WASHER - BOTTOM HINGE	2	V801491	V801491
8	VALIDATOR PLUG	1	133539-2	133539-2
9	COIN INSERT CASTING	1	389780	389780
10	SELECTION PANEL - SEE PG. F-13	1	~	~
*11	DOOR RAIN GUARD - BLACK	1	~	~
~	DOOR RAIN GUARD - BROWN	1	~	~
~	DOOR RAIN GUARD - WHITE	1	~	~
12	RIVET	5	V801471	V801471
*13	DOOR FRAME WELD	1	~	~
*14	DOOR GUARD	1	~	~
15	CORRECT CHANGE LAMP	1	387124	387124
16	CARRIAGE BOLT	A/R	V329258	V329258
17	HEX NUT / LOCKWASHER	A/R	V800959	V800959
~	T-HANDLE ASSEMBLY SEE PG. F-13	1	~	~
18	T-HANDLE CHUTE	1	389240	389240
19	SCAVENGER CHUTE	1	388944	388944
20	RETAINER - LEVER	1	388220	388220
21	TAPPING SCREW	A/R	V801475	V801475
22	SCAVENGER LEVER	1	390274	390274
23	SPRING - LEVER	1	387849	387849
24	COIN INSERT CHUTE ASSEMBLY	1	133428	133428
25	COVER - CHUTE	1	389066	389066
26	COIN INSERT CHUTE	1	389065	389065
27	COIN RETURN TRIM	1	389791-1	389791-1
28	CUP WASHER - TRIM	2	337241-1	337241-1

*NOTE: WHEN ORDERING OUTER DOOR ASSEMBLY, PLEASE PROVIDE **9-CODE** AND **MANUFACTURER'S DATE CODE**.

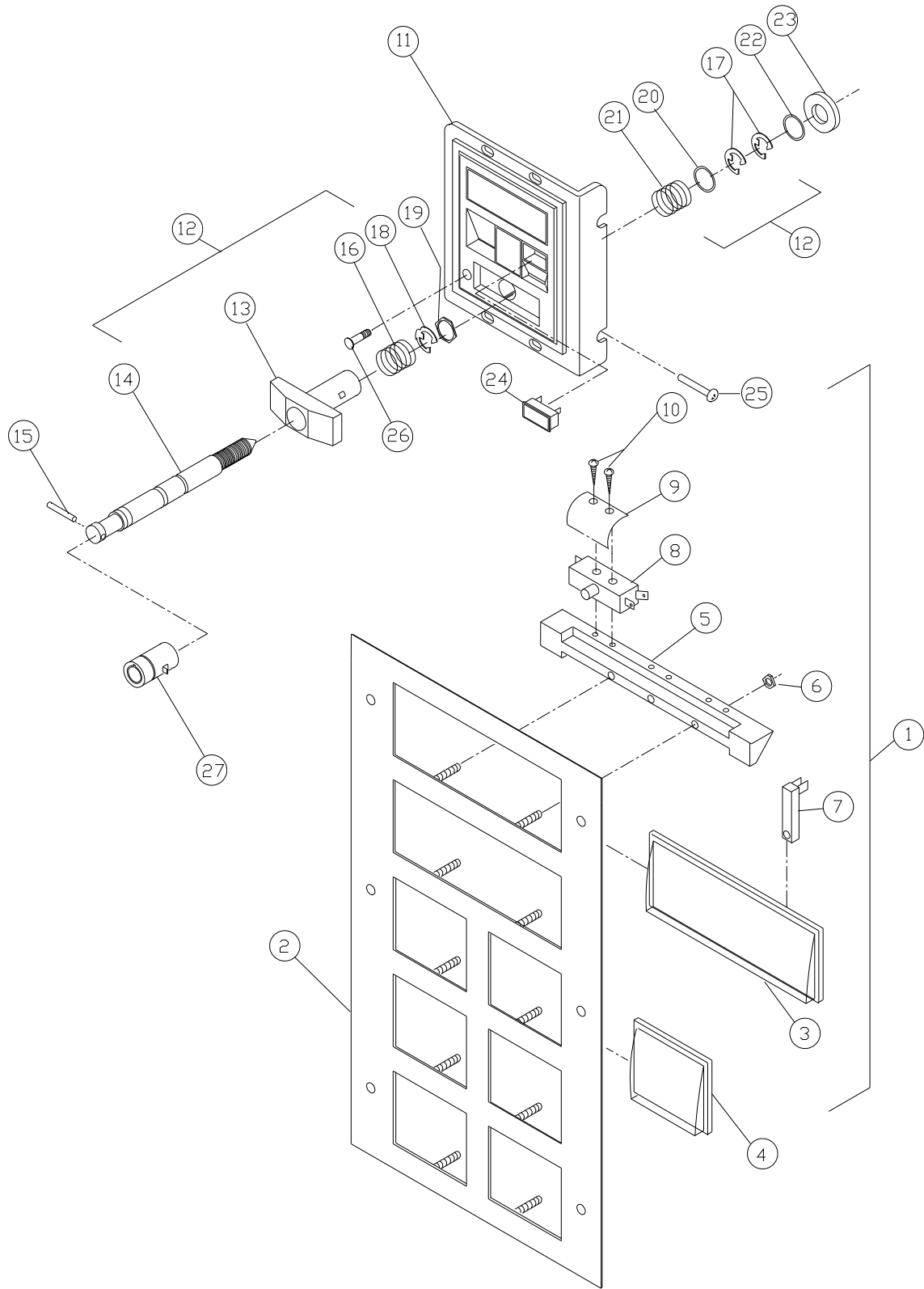
NOTE: WHEN ORDERING SIGN FACE, PLEASE PROVIDE **STYLE.





“UNIVENDOR” TRADE OUTER DOOR - CURVED (CONTINUED)

29	TAPPING SCREW - TRIM	5	V801493	V801493
30	COIN RETURN DOOR	1	389790	389790
31	SCREW (#10 - 16)	A/R	V801489	V801489
32	CROWN BLOCKER	1	388455	388455
33	CUP - COIN RETURN	1	388111	388111
34	BACKING PLATE	1	1008374	1008374
35	HINGE - INNER DOOR	2	388149	388149
36	CREDIT RELAY	1	353343	353343
37	SCREW - COINAGE	3	V800762	V800762
38	LATCH - COINAGE DOOR	1	1071686	1071686
39	COINAGE DOOR ASSEMBLY	1	133435	133435
40	BARRIER PANEL	1	388244	388244
41	BULKHEAD	1	388119	388119
42	BRACKET - LAMPHOLDER	1	1016121	1016121
43	LAMP HOLDER - PLUNGER (HI-INTENSITY)	2	388407	388407
~	LAMP HOLDER - PLUNGER (SLIM LINE)	2	388406	388406
44	SHEAR PANEL - MIDDLE	1	389834-1	389834-1
45	FLUORESCENT LAMP (HI-INTENSITY)	2	388408-1	388408-1
~	FLUORESCENT LAMP (SLIM - LINE)	2	388320-1	388320-1
46	BALLAST - LAMP (HI-INTENSITY)	1	388405	388405
~	BALLAST - LAMP (SLIM - LINE)	1	388259	388259
47	LAMP HOLDER - FIXED (HI- INTENSITY)	2	388406	388406
~	LAMP HOLDER - FIXED (SLIM-LINE)	2	388261	388261
48	TAPPING SCREW BALLAST	4	V801421	V801421
49	DELIVERY HOPPER ASSEMBLY	1	133574-1	133574-1
~	EXTENSION - HOPPER	2	389088	389088
~	RIVET - HOPPER	6	V801412	V801412
50	TIE DOWN PANEL MOUNT	A/R	388359-1	388359-1
51	STRIKE	1	388433	388433
52	BUMPER - DOOR	2	1036912	1036912
53	DOOR HARNESS - SEE PG. A-5	1	~	~
54	HARNESS CLIP	3	384692	384692
55	SHEAR PANEL - TOP/BOTTOM (HI-INTENSITY)	1	388117	388117
~	SHEAR PANEL - TOP (SLIM - LINE)	1	~	~
56	RAIN GUTTER	1	388581-1	388581-1
57	COIN BOX	1	388119	388119
58	CROWN BOX	1	133560	133560
59	LIGHT HARNESS - SEE PG. A-5	~	~	~
60	RAMP -INNER DOOR	1	1016962	1016962
61	GROMMET	1	327021	327021
62	HARNESS TIE	2	388359-1	388359-1





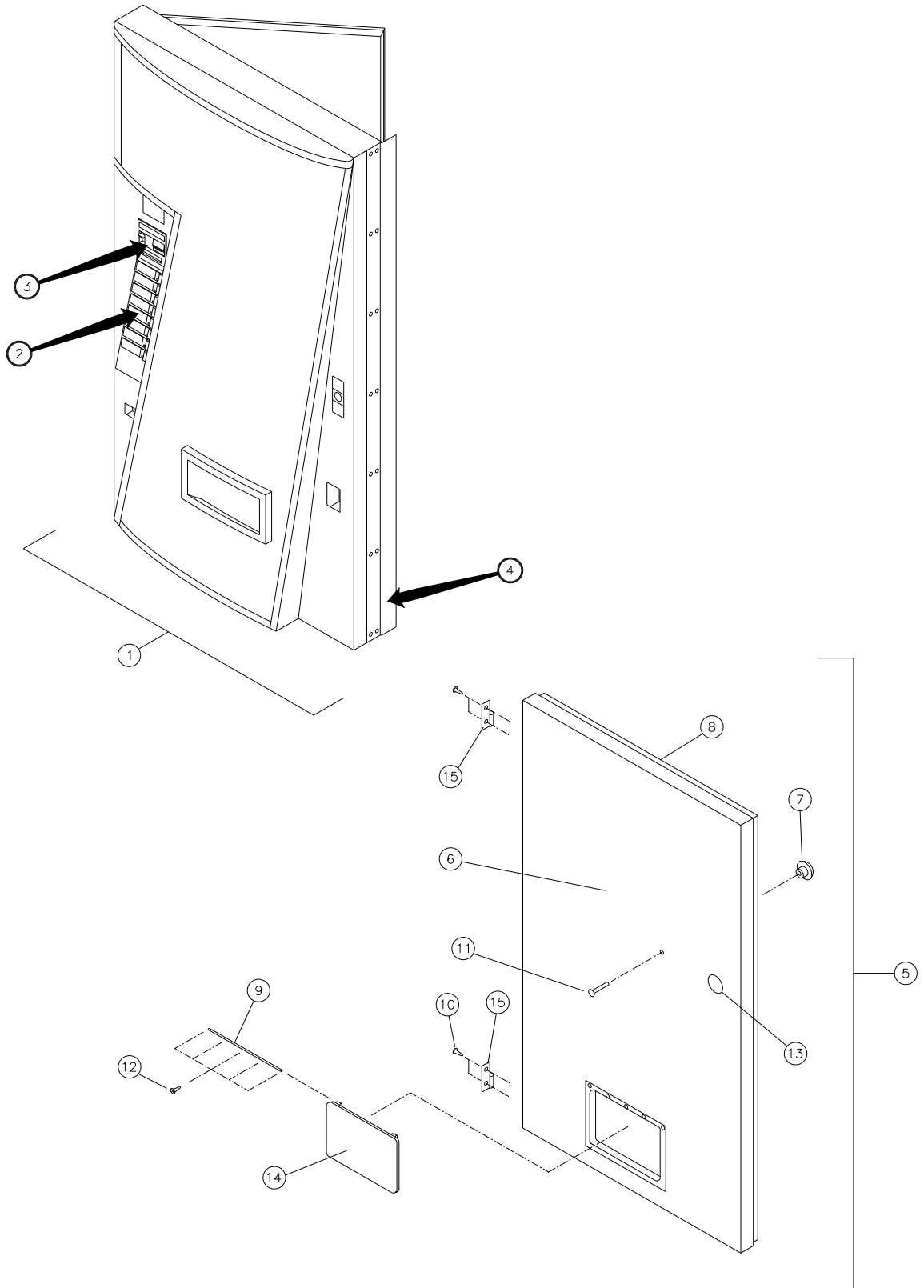
“UNIVENDOR” TRADE SELECTION PANEL

ITEM NO.	PART NAME & DESCRIPTION	REQ'D NO.	PART NO.
*1	BUTTON ASSEMBLY	1	~
*2	SELECTION BUTTON	1	~
**3	SELECTION BUTTON - MEDIUM	A/R	1062937-1
4	SELECTION BUTTON - SMALL	A/R	370841-1
5	BUTTON RETAINER	A/R	388360
6	HEX NUT - RETAINER	A/R	V800956
7	SOLD-OUT LAMP	A/R	383991
8	SELECTION SWITCH	A/R	385440
9	LEAF SPRING - SELECTION BUTTON	A/R	388444
10	TAPPING SCREW - SWITCH	A/R	V801499
11	COIN INSERT CASTING	1	389780
12	LOCK ASSEMBLY	1	133461
13	T-HANDLE	1	1037676
14	LOCKING STUD (BOLT)	1	388131
15	PIN - STUD	1	387601
16	SPRING	1	387849
17	E-RETAINER RING	2	387719
18	E-RETAINER RING	1	388589
19	HEX FLAT WASHER	1	387600
20	FLAT WASHER	1	387718
21	SPRING - HEAVY	1	389691
22	FLAT WASHER - 1/2	2	V801023
23	VAPOR SEAL	1	388132
24	CORRECT CHANGE LIGHT	1	387124
25	CARRIAGE BOLT	2	V801434
26	CARRIAGE BOLT	1	V802005
***27	KEY AND LOCK ASSEMBLY	1	-----

*NOTE: WHEN ORDERING OUTER DOOR ASSEMBLY, PLEASE PROVIDE **9-CODE** AND **MANUFACTURER'S DATE CODE**.

**NOTE: SEE CUSTOMER SERVICE FOR FLAVOR LABELS.

***NOTE: KEY AND LOCK CAN BE ORDER THROUGH VENGUARD.



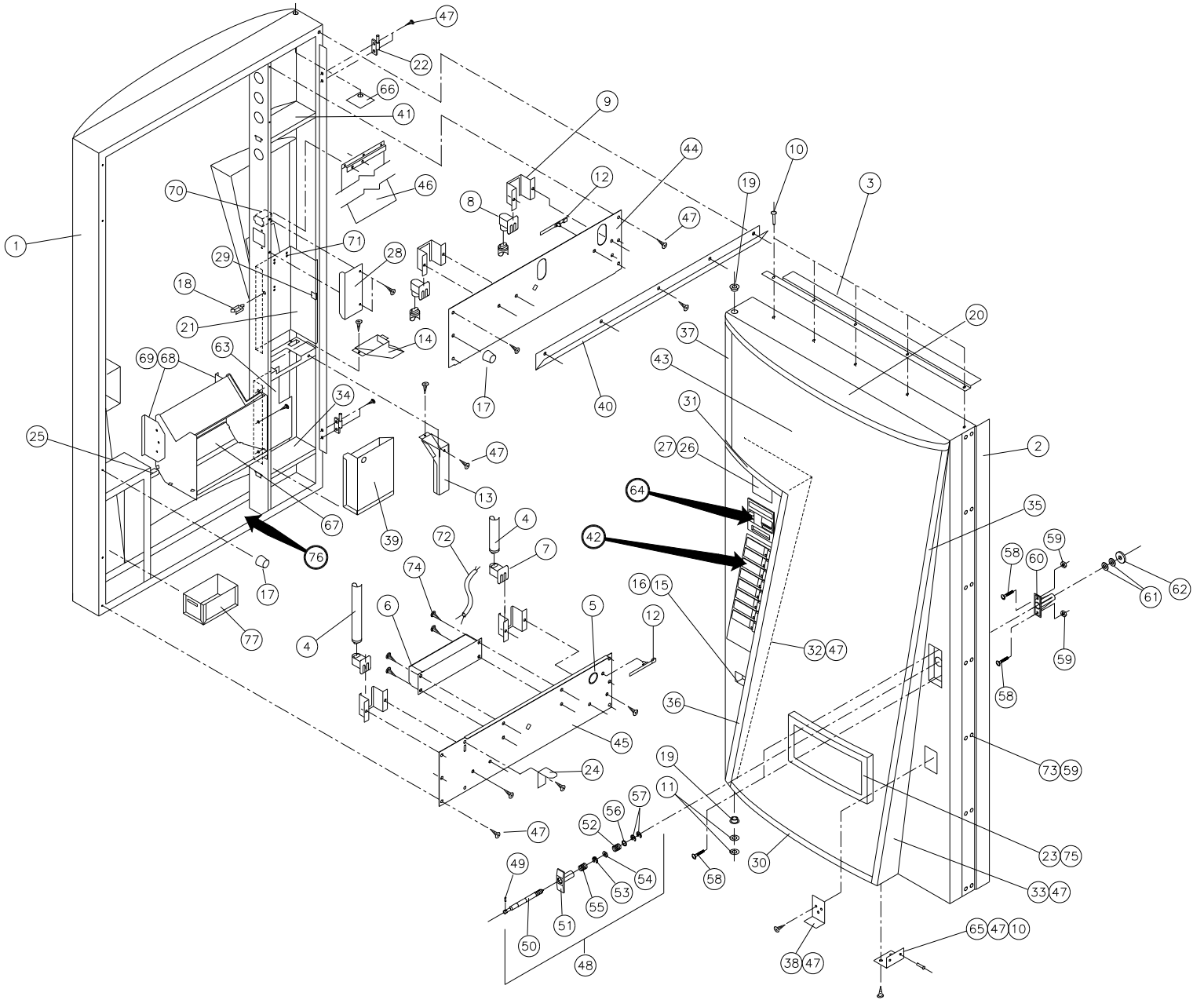


“UNIVENDOR” MAIN DOOR - 7UP

ITEM NO.	PART NAME & DESCRIPTION	REQ.	388 - 392 406	460 - 470 490
*1	OUTER DOOR ASSEMBLY - 8 SEL	1	~	~
2	SELECTION PANEL ASSEMBLY - SEE PG. F-21	1	~	~
3	COIN INSERT ASSEMBLY - SEE PG. F-21	1	~	~
4	DOOR HARNESS	1	1036955	1036971
5	INNER DOOR ASSEMBLY (FINAL)	1	134302- 13	134302- 14
6	INNER DOOR ASSEMBLY (FOAMED)	1	133438- 13	133438- 14
7	DOOR KNOB	1	388305	388305
8	DOOR GASKET KIT - SEE PG. A-9	1	~	~
9	PIN HINGE	1	389985	389985
10	SCREW - SELF DRILL	6	V801489	V801489
11	BOLT - KNOB	1	V329258	V329258
12	SCREW - TAPPING	5	V800570	V800570
13	GROMMET	2	388090	388090
14	DELIVERY DOOR	1	1013076	1013076
15	HINGE LEAF	2	388148	388148

NOTE: FOR FLAVOR LABELS AND DECALS SEE CUSTOMER SERVICE.

*NOTE: WHEN ORDERING OUTER DOOR ASSEMBLY, PLEASE PROVIDE **9-CODE** AND **MANUFACTURER’S DATE CODE**.

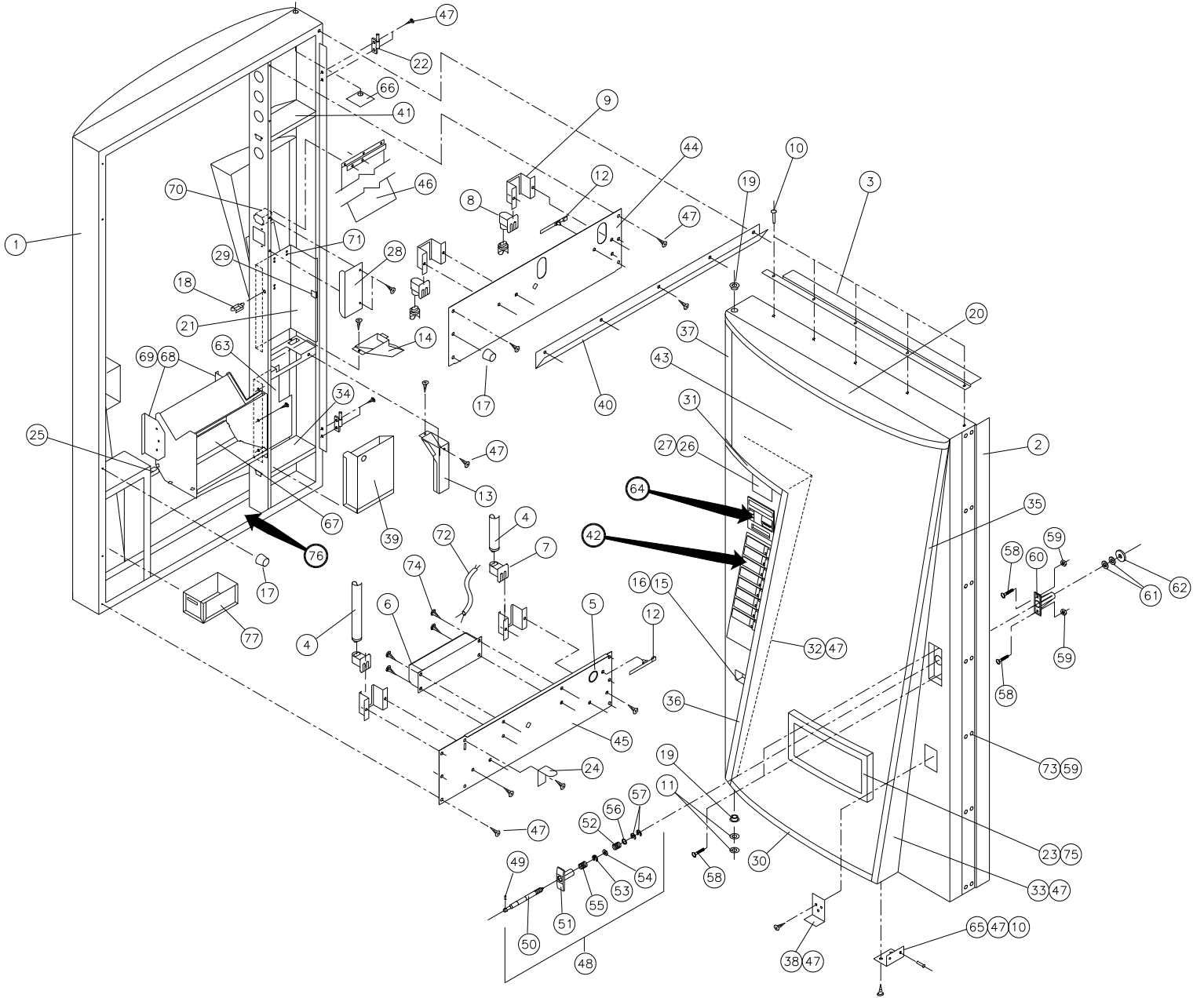




“UNIVENDOR” 7-UP OUTER DOOR

ITEM NO.	PART NAME & DESCRIPTION	REQ.	39 X 72 PART NO.	39 X 79 PART NO.
~	*OUTER DOOR ASSEMBLY	1	~	~
1	DOOR WELD	1	134772-1	134772
2	DOOR GUARD	1	133629-20	133629-19
3	RAIN GUARD - 7UP	1	133647-2	133647-2
4	FLUORESCENT LAMP	2	388408-1	388408
5	GROMMET	1	327021	327021
6	BALLAST	1	388405	388405
7	LAMP HOLDER - FIXED	2	388406	388406
8	LAMP HOLDER - PLUNGER	2	388407	388407
9	BRACKET - LAMP HOLDER	4	388409	388409
10	RIVET	A/R	V801471	V801471
11	FLAT WASHER	A/R	V801023	V801023
12	HARNESS TIE	2	388359-1	388359-1
13	COIN CHUTE	1	133435	133435
14	COIN RETURN CHUTE	1	134692	134692
15	DOOR - COIN RETURN	1	320934-1	320934-1
16	PIN - COIN RETURN DOOR	1	320935	320935
17	BUMPER	2	1036912	1036912
18	CLAMP	2	384692-2	384692-2
19	BUSHING - HINGE	2	388094	388094
20	SIGN CAP - TOP	1	388121	388121
21	COINAGE DOOR	1	134779	134779
22	HINGE - INNER DOOR	2	388149	388149
23	EYELET TRIM	1	388271	388271
24	RAMP - INNER DOOR	1	1016962	1016962
25	STRIKE - INNER DOOR	1	388433	388433
26	PLUG - BILL VALIDATOR	1	133539-2	133539-2
27	GASKET - PLUG	1	388846	388846
28	JONES PLUG COVER	1	389123	389123
29	LATCH - COINAGE DOOR	1	1071686	1071686
30	SIGN CAP - BOTTOM	1	389708-1	389708-1
31	SIGN CAP - MIDDLE	1	389709	389709
32	TRANSITION PANEL - LEFT	1	134793	134795
33	TRANSITION PANEL - RIGHT	1	134792	134794
34	BULKHEAD - COIN BOX	1	389722	389722
35	SIGN TRIM - RIGHT	1	389718-1	389718
36	SIGN TRIM - LOWER LEFT	1	389720-1	389720
37	SIGN TRIM - UPPER LEFT	1	389721-1	389721
38	CROWN BLOCKER	1	389786	389786

*NOTE: WHEN ORDERING OUTER DOOR ASSEMBLY, PLEASE PROVIDE **9-CODE** AND **MANUFACTURER'S DATE CODE**.



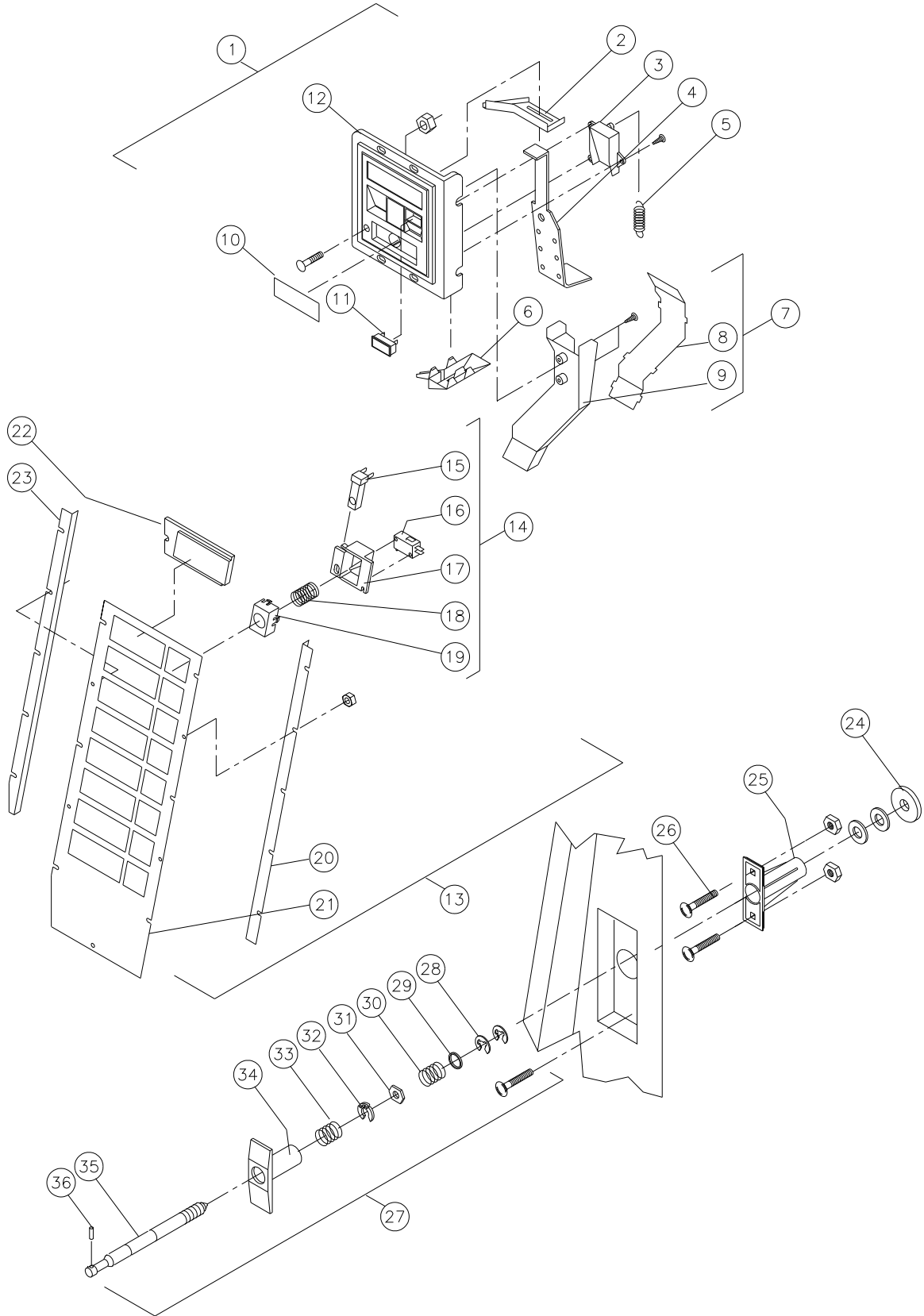


“UNIVENDOR” 7UP OUTER DOOR (CONTINUED)

39	COIN BOX	1	388119	388119
40	RAIN GUTTER	1	389827	389827
41	RAIN BULKHEAD	1	389851	389851
42	SELECTION PANEL ASSEMBLY - SEE PG. F-21	1	~	~
43	SIGN FACE	1	389715	389714
44	SHEAR PANEL - UPPER	1	389699	389699
45	SHEAR PANEL - LOWER	1	389735	389735
46	RAIN SHEET	1	389830	389830
47	SCREW - SELF DRILL	A/R	V801489	V801489
48	T-HANDLE ASSEMBLY	1	134761	134761
49	PIN	1	389071	389071
50	STUD	1	389999	389999
51	HANDLE	1	387603	387603
52	SPRING	1	389691	389691
53	E-RETAINER	1	388589	388589
54	HEX WASHER	1	387600	387600
55	SPRING	1	387598	387598
56	WASHER	1	387718	387718
57	E-RETAINER	2	387719	387719
58	CARRIAGE BOLT	2	V329258-2	V329258-2
59	HEX NUT	A/R	V800956	V800956
60	HOUSING	1	387597	387597
61	WASHER	2	V801023	V801023
62	VAPOR SEAL	1	388132	388132
63	BARRIER PANEL - COIN BOX	1	389698	389698
64	COIN INSERT ASSEMBLY - SEE PG. F-21	1	~	~
65	FILLER PLATE - BOTTOM	1	389837	389837
66	BACKING PLATE - DOOR HINGE	1	388124	388124
67	HOPPER	1	133574-1	133574-1
68	EXTENSION - HOPPER	2	389088	389088
69	RIVETS - HOPPER	6	V801412	V801412
70	CREDIT RELAY	1	353343	353343
71	SCREW - COIN DOOR	3	V800762	V800762
72	LIGHT HARNESS	1	134308-2	134308-2
73	CARRIAGE BOLT - DOOR GUARD	A/R	V801434	V801434
74	TAPPING SCREW - BALLAST	4	V801421	V801421
75	TAPPING SCREW	A/R	V801493	V801493
76	DOOR HARNESS	1	1036955	1036971
77	CROWN BOX	1	133552	133552

NOTE: E-RETAINER, WASHERS, AND SPRING MUST BE REMOVED FROM T-HANDLE ASSEMBLY BEFORE INSERTING INTO HOUSING.

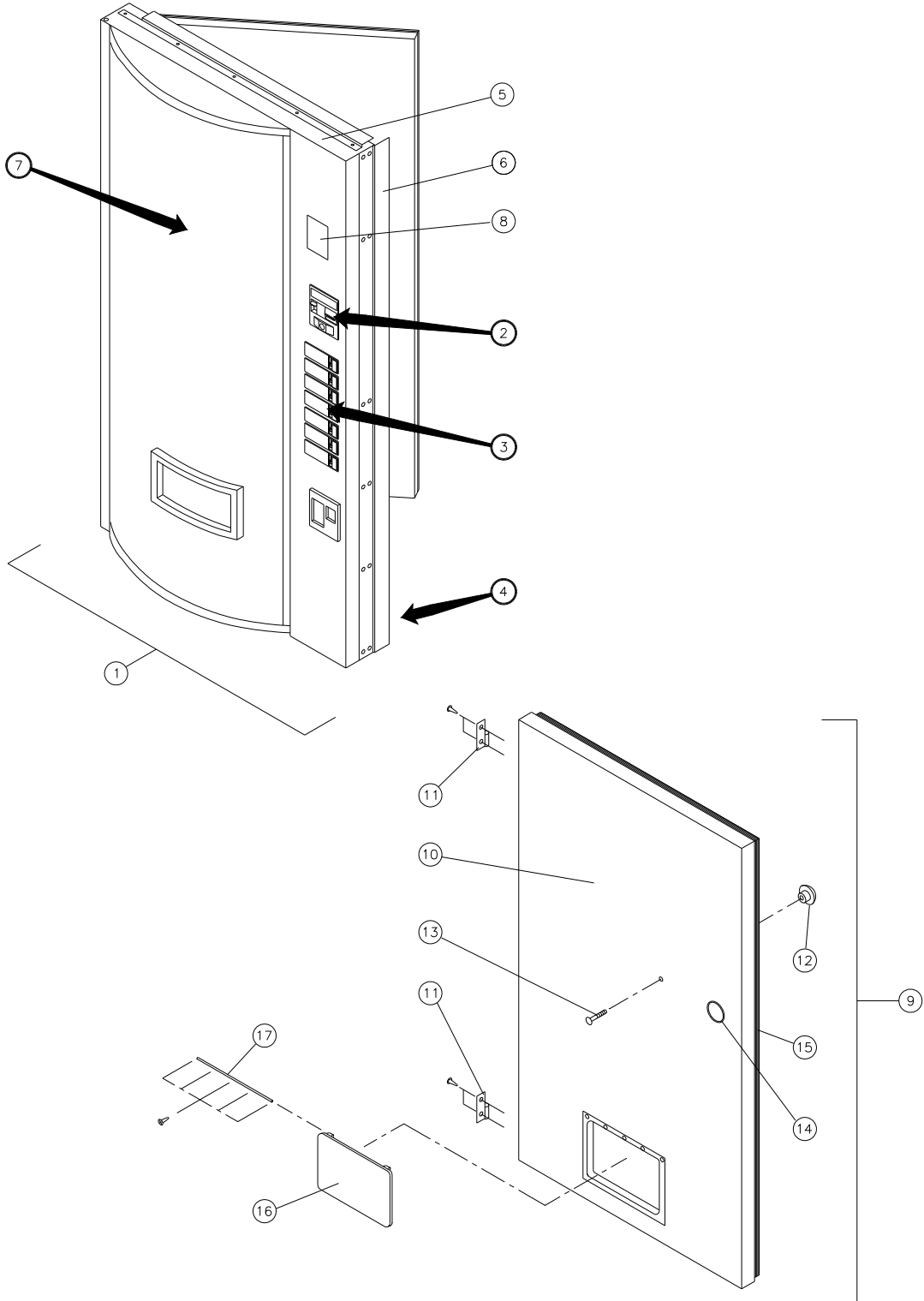
*NOTE: WHEN ORDERING OUTER DOOR ASSEMBLY, PLEASE PROVIDE **9-CODE** AND **MANUFACTURER'S DATE CODE**.





COIN INSERT/SELECTION BUTTON/ T-HANDLE ASSEMBLY

ITEM NO.	PART NAME & DESCRIPTION	REQ	PART NO.
1	COIN INSERT ASSEMBLY - 7UP	1	134759-11
2	SCAVENGER CHUTE	1	388684
3	SCAVENGER RETAINER	1	390274
~	TAPPING SCREW	A/R	V801475
4	SCAVENGER LEVER	1	388690
5	SPRING	1	387849
6	T-HANDLE CHUTE	1	389240
7	COIN INSERT CHUTE ASSEMBLY	1	133428
8	COIN INSERT CHUTE	1	389713
9	COVER - COIN INSERT CHUTE	1	389719
~	TAPPING SCREW	A/R	V801475
10	T-HANDLE HOLE COVER	1	389707
11	CORRECT CHANGE LAMP	1	387124
12	COIN INSERT CASTING	1	389780
~	CARRIAGE BOLT	1	V800857
~	HEX NUT / LOCKWASHER	1	389780
13	SELECTION PANEL ASSEMBLY - 8 SEL.	1	134773-1
14	PUSH BUTTON ASSEMBLY -7UP	8	134788
15	LAMP - SOLD OUT	1	383991
16	SWITCH	1	368299
17	HOUSING BUTTON - 7UP	1	389764
18	SPRING - SELECTION BUTTON	1	388858
19	BUTTON - 7UP	1	389763
20	RAIL - BUTTON SIDE	1	389812
~	HEX NUT	A/R	V800956
21	SELECTION PANEL STUD ASSEMBLY - 8 SEL.	1	134771
22	WINDOW - 7UP	8	389765
23	RAIL - WINDOW SIDE	1	389811
24	VAPOR SEAL	1	388132
25	HOUSING	1	387597
~	WASHER	A/R	387718
~	HEX NUT	A/R	V800959
26	CARRIAGE	A/R	V329258-2
27	T-HANDLE ASSEMBLY	1	1008862
28	E-RETAINER	2	387719
29	WASHER	1	387718
30	SPRING	1	389691
31	HEX WASHER	1	387600
32	E-RETAINER	1	388589
33	SPRING	1	389690
34	HANDLE	1	387603
35	STUD	1	389999
36	PIN	1	387601



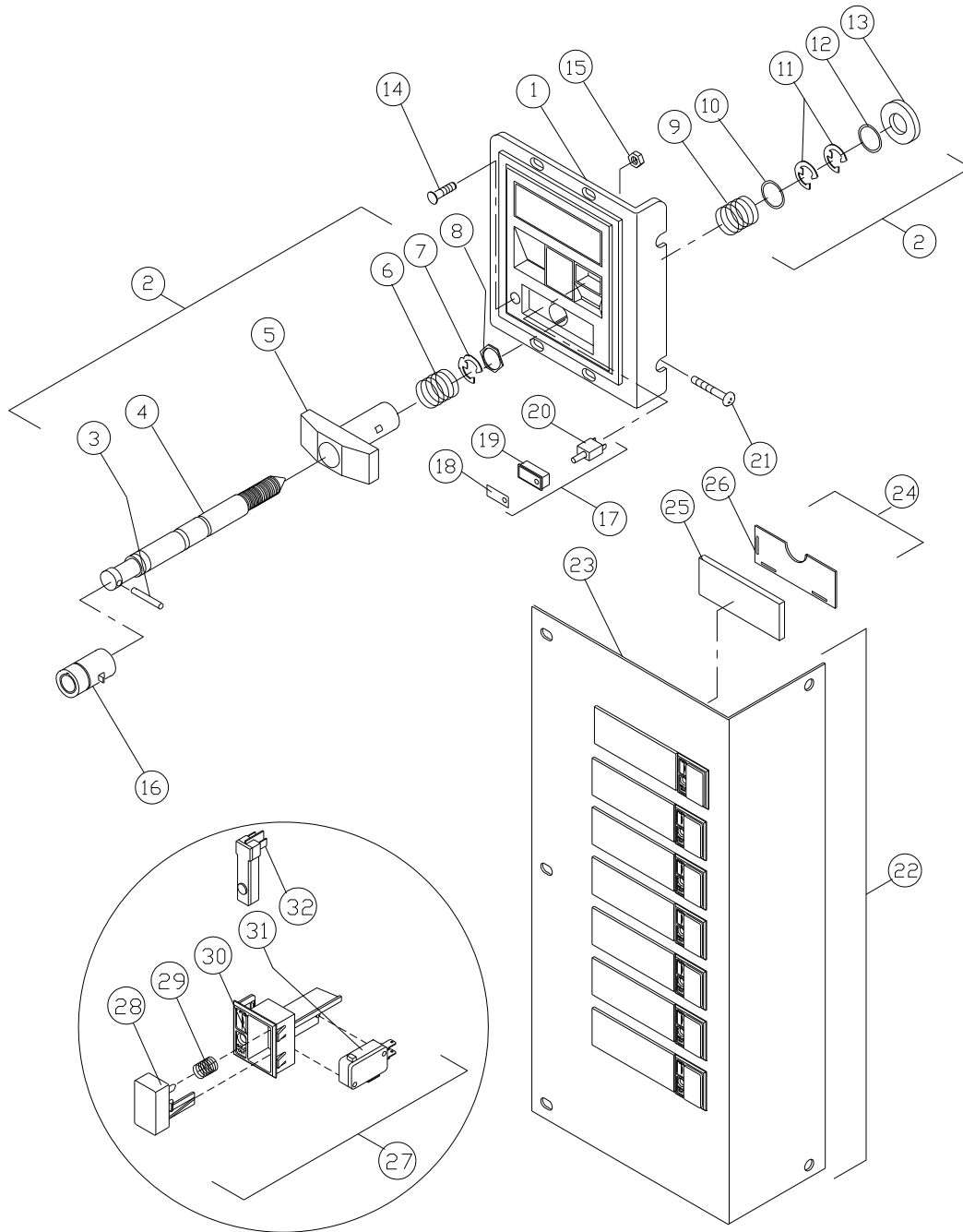


“UNIVENDOR” CURVED TRADE MAIN DOOR W/ MINI-TRADE BUTTON

ITEM NO.	PART NAME & DESCRIPTION	REQ.	PART NO.
*1	OUTER DOOR	1	~
2	LOCK ASSEMBLY - SEE PG. F-25	1	~
3	SELECTION PANEL - SEE PG. F-25	1	~
4	DOOR HARNESS	1	1036955
*5	DOOR FRAME WELD	1	~
*6	DOOR GUARD	1	134772
**7	SIGN FACE - SEE NOTE	1	~
8	VALIDATOR PLUG	1	133539-2
9	INNER DOOR ASSEMBLY - FINAL	1	134302-4
10	INNER DOOR PANEL - FOAMED	1	133438
11	HINGE - INNER DOOR	2	388148
12	DOOR HANDLE	1	388305
13	CARRIAGE BOLT - HANDLE	1	V329258
14	GROMMET	2	388090
15	INNER DOOR GASKET	1	389622-4
16	DELIVERY DOOR - REVERSIBLE	1	1013076
17	HINGE PIN	1	389985

*NOTE: WHEN ORDERING OUTER DOOR ASSEMBLY, PLEASE PROVIDE **9-CODE** AND **MANUFACTURER'S DATE CODE**.

NOTE: WHEN ORDERING SIGN FACE, PLEASE PROVIDE **STYLE.



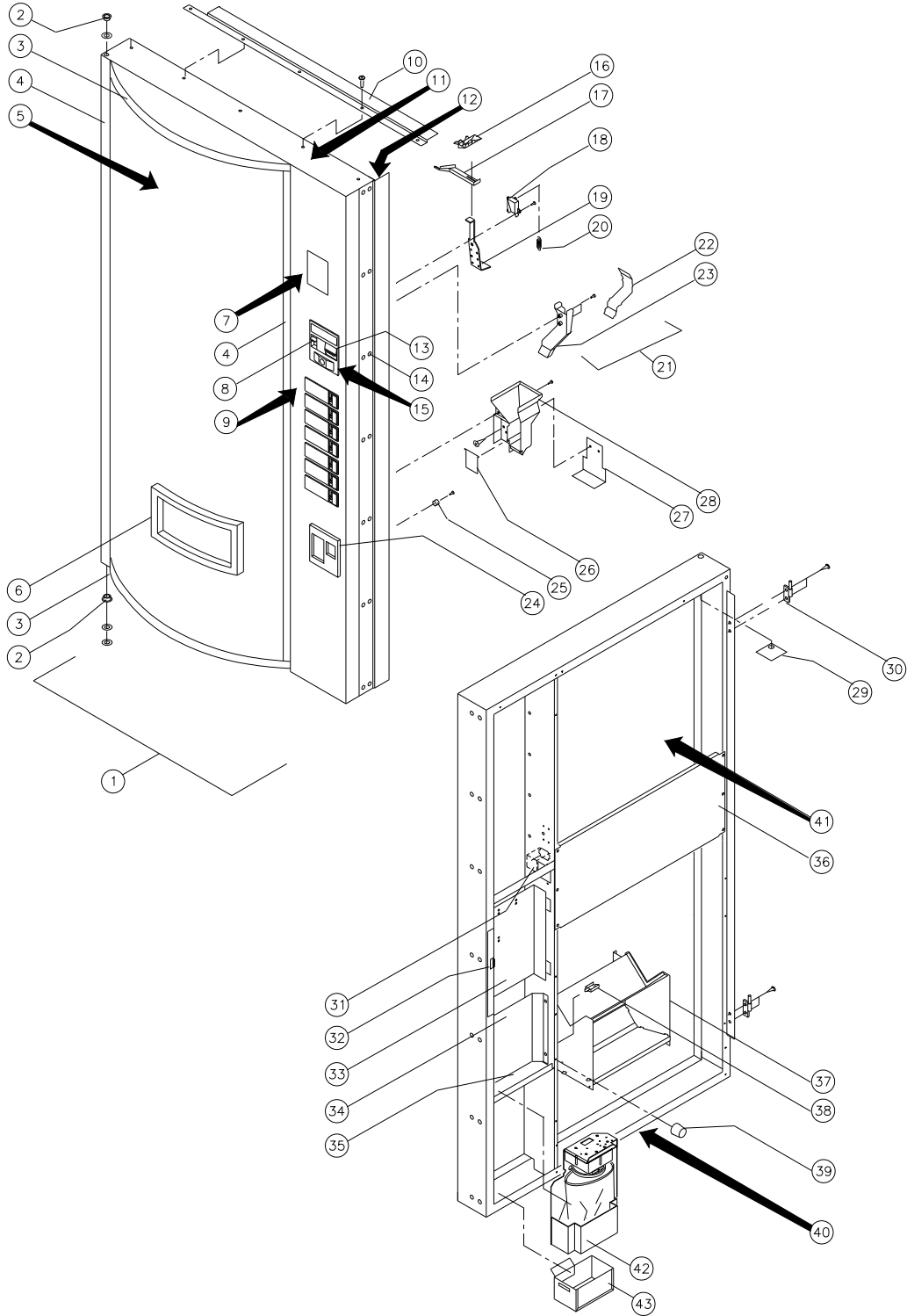


**“UNIVENDOR” TRADE SELECTION PANEL
W/ MINI-TRADE BUTTONS**

ITEM NO.	DESCRIPTION	QTY.	PART NO
1	COIN INSERT CASTING	1	1006126-1
2	LOCK ASSEMBLY - QUICKER	1	1037676
3	PIN-STUD	1	387601
4	LOCKING STUD (BOLT)	1	1049716
5	T-HANDLE	1	387603
6	SPRING	1	389691
7	E-RETAINER RING	1	388589
8	HEX FLAT WASHER	1	387600
9	SPRING - HEAVY DUTY	1	389691
10	FLAT WASHER	1	387718
11	E-RETAINER RING	2	387719
12	FLAT WASHER - 1/2"	2	V801023
13	VAPOR SEAL	1	388132
14	CARRIAGE BOLT	1	V802005
15	HEX NUT	1	V800957
*16	KEY AND LOCK ASSEMBLY	1	~
17	CORRECT CHANGE LIGHT ASSY. - ENGLISH	1	1020544
~	CORRECT CHANGE LIGHT ASSY. - INTL.	1	1020544-1
18	CORRECT CHANGE LIGHT LABEL - ENGLISH	1	1001973
~	CORRECT CHANGE LIGHT LABEL - FRENCH	1	1001973-1
~	CORRECT CHANGE LIGHT LABEL - SPANISH	1	1001973-3
19	CORRECT CHANGE LIGHT HOUSING	1	1001965
20	CORRECT CHANGE LIGHT	1	388277
21	CARRIAGE BOLT	A/R	V801434
22	SELECTION PANEL ASSY. (7 SELECT)	1	133508-8
~	SELECTION PANEL ASSY. (8 SELECT)	1	133508-11
~	SELECTION PANEL ASSY. (9 SELECT)	1	133508-13
~	SELECTION PANEL ASSY. (10 SELECT)	1	133508-14
23	SELECTION PANEL (7 SELECT)	1	133491-6
~	SELECTION PANEL (8 SELECT)	1	133491-8
~	SELECTION PANEL (8 SELECT)	1	133491-9
~	SELECTION PANEL (10SELECT)	1	134757-62
**24	SELECTION WINDOW ASSEMBLY	A/R	133431
25	WINDOW	1	388223
26	WINDOW BACK	1	388116
27	SELECTION BUTTON ASSEMBLY	A/R	1017128-2
28	SELECTION BUTTON - GRAY	1	1008919
29	SPRING - SELECTION BUTTON	1	388858
30	HOUSING - SELECTION BUTTON	1	1006932
31	SELECTION SWITCH	1	368299
32	SOLD OUT LIGHT	1	383991

*NOTE: KEY AND LOCK CAN BE ORDERED SEPARATELY.

**NOTE: WHEN ORDERING FLAVOR LABELS, PLEASE PROVIDE STYLE.



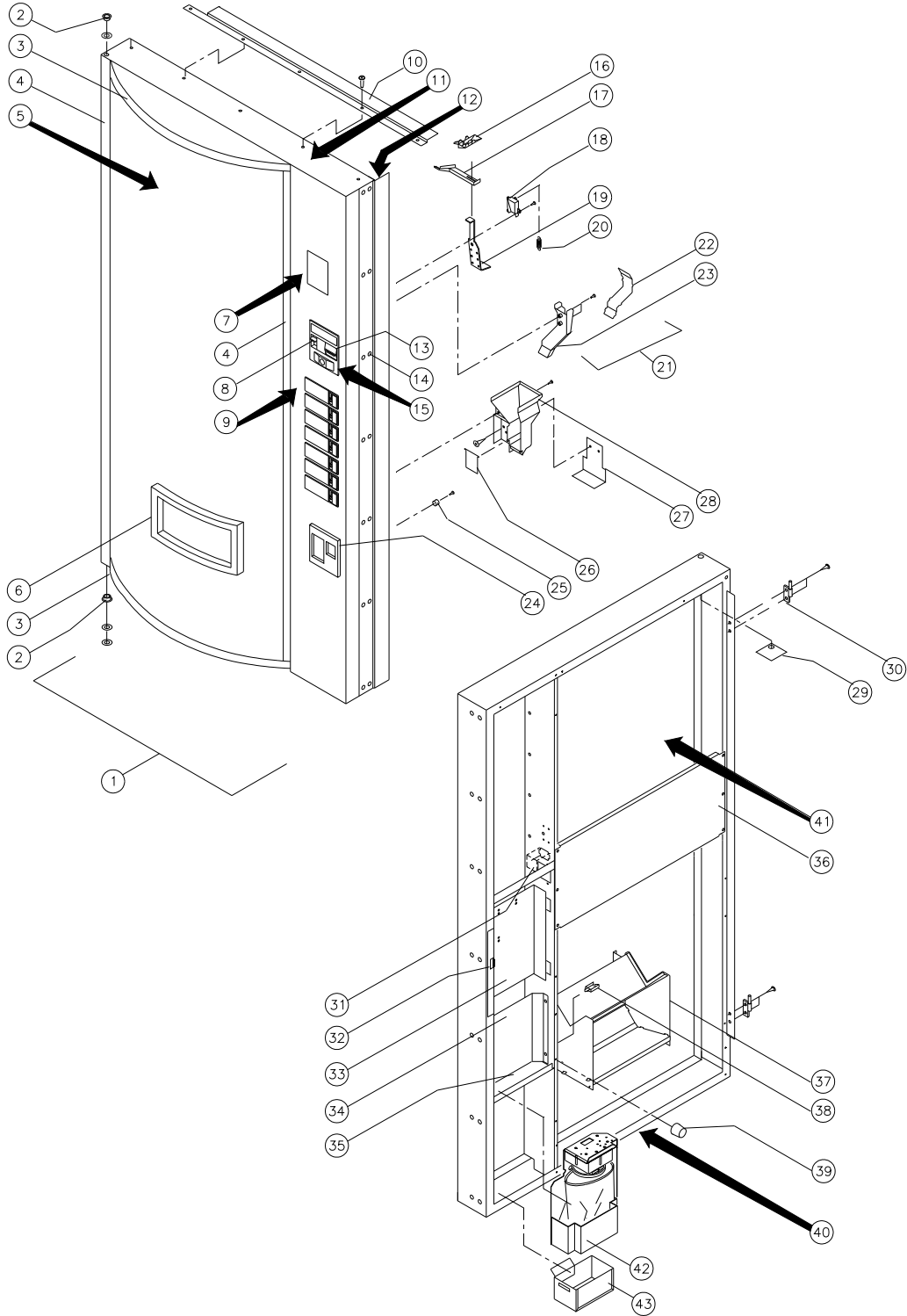


**“UNIVENDOR” CURVED TRADE OUTER DOOR
W/ MINI-TRADE BUTTONS**

ITEM NO.	MODEL NUMBER		450 - 460 470 - 490
	DESCRIPTION	QTY.	PART NO.
1	OUTER DOOR ASSEMBLY - SEE PAGE F-23	1	~
2	BUSHING - DOOR HINGE	2	388094
3	SIGN CAP - TOP/BOTTOM	2	1014986
4	SIGN FRAME - LEFT/RIGHT	2	388125
*5	SIGN FACE - SEE NOTE	1	~
6	EYELET TRIM	1	388271
7	VALIDATOR PLUG - SEE PAGE F-23	1	~
8	COIN INSERT CASTING -SEE PAGE F-25	1	~
9	SELECTION PANEL - SEE PAGE F-25	1	~
**10	DOOR RAIN GUARD - BLACK	1	133647-2
11	DOOR FRAME WELD - SEE PAGE F-23	1	~
12	DOOR GUARD - SEE PAGE F-23	1	~
13	COOECT CHANGE LAMP - SEE PAGE F-25	1	~
14	CARRIAGE BOLT	A/R	V801434
15	LOCK ASSEMBLY - SEE PAGE F-25	1	~
16	T-HANDLE CHUTE	1	389240
17	SCAVENGER CHUTE	1	388684
18	RETAINER - LEVER	1	388220
19	SCAVENGER LEVER	1	390274
20	SPRING - LEVER	1	387849
21	COIN INSERT CHUTE ASSEMBLY	1	133428
22	COVER - CHUTE	1	389066
23	COIN INSERT - LEVER	1	389065
24	COIN RETURN TRIM	1	389791
25	CUP WASHER - TRIM	1	337241-1
26	COIN RETURN DOOR	1	389790
27	CROWN BLOCKER	1	388455
28	CUP - COIN RETURN	1	388111
29	BACKING PLATE	1	388443
30	HINGE - INNER DOOR	1	388149
31	CREDIT RELAY	1	353343

*NOTE: WHEN ORDERING SIGN FACE, PLEASE PROVIDE **STYLE**.

NOTE: WHEN ORDERING PAR SPECIFY **COLOR AND/OR FRANCHISE.





**UNIVENDOR” CURVED TRADE OUTER DOOR
W/ MINI-TRADE BUTTONS (CONTINUED)**

ITEM NO.	MODEL NUMBER		450 - 460 470 - 490
	DESCRIPTION	QTY.	PART NO.
32	LATCH - COINAGE DOOR	1	1071686
33	COINAGE DOOR ASSEMBLY	1	133435
34	BARRIER PANEL (NOT USED WITH ITENM 43)	1	388244
35	BULKHEAD	1	388119
36	SHEAR PANEL - MIDDLE	1	389834-1
37	DELIVERY HOPPER ASSEMBLY	1	133574-1
38	TIE DOWN PANEL MOUNT	A/R	388359-1
39	BUMPER - DOOR	2	1039555
40	DOOR HARNESS (NOT SHOWN)	1	~
41	LIGHT ASSEMBLY- SEE PAGE F-9	1	~
42	HONOR-GARD (OPTIONAL)	1	~
43	CROWN BOX (OPTIONAL)	1	133560

*NOTE: WHEN ORDERING SIGN FACE, PLEASE PROVIDE **STYLE**.

NOTE: WHEN ORDERING PART SPECIFY **COLOR AND/OR FRANCHISE